



Yes, you can.[®]

Invacare[®] Reliant 350 Stand Assist

For safe and comfortable assisted transfers

The *Invacare[®] Reliant 350 Stand Assist* is a compact and maneuverable mobile lifter that provides safe and comfortable assisted transfers for those with limited mobility or rehabilitation needs. The robust design, with a maximum weight limit of 158 kg (25 stone) allows for additional support whilst transferring to and from a sitting position, preventing unnecessary strain on both patient and carer.

NEW

Fresh new look and design improvements for ease of use



Adaptable and Easy to Use

The *Invacare® Reliant 350* can be used to transfer a client that cannot transfer unaided, but has some level of weight bearing ability, from one seated position to another. It features a multi-adjustable lift boom and a selection of sling mounting points to provide an adjustable and ergonomic lift angle. Large rear and small front castors help maneuver the *Reliant 350* into small or confined spaces and the base has a lever adjustment mechanism for added stability.

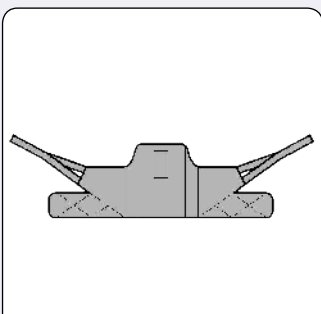
In addition, the *Reliant 350* has a generous non slip footplate providing a stable surface for the feet, as well as a height-adjustable padded knee guard.



Safe and Reliable

The *Reliant 350* provides a range of safety features including an emergency stop button, emergency mechanical descent system, as well as an anti-entrapment device which stops the boom from lowering if it meets resistance. The battery recharge indicator is visual and audible. In addition, the *Reliant 350* is supplied with an off-board charger and spare battery to allow 24 hour use. For transport and storage, the *Reliant 350* can be easily dismantled.

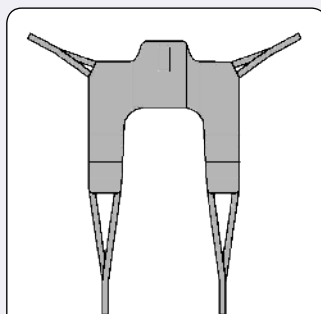
Features and Options



Stand Assist Sling

Designed to be used with a **Stand Assist** lifter; this sling features the latest innovative fabric for improved comfort and handling.

Available in sizes; S, M, L & XL.



Transfer Stand Assist Sling

Designed for **Stand Assist** lifters, for those who require additional leg support, this sling provides a supportive and comfortable transfer.

Available in sizes; S, M, L & XL.



Independent Charger

An off-board charger and spare battery allow for 24 hour use.

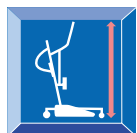
Technical data

Product Code RPS350-IE
Product Description *Reliant 350 Stand Assist*

Colours



Beige



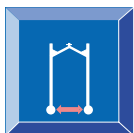
167 cm



102 cm



94 cm



66 cm



90 cm



11 cm



100-200 lifts per full charge



49 kg



Max. 158 kg

Warranty:

3 years on frame
2 years on actuator
1 year battery

All information quoted is believed to be correct at time of print. Invacare® reserves the right to alter product specifications without prior consultation.



INVACARE® Limited
Pencoed Technology Park · Pencoed · Bridgend CF35 5HZ
Tel: +44 1 656 776 222 · Fax: +44 1656 776 220
E-mail: uk@invacare.com · www.invacare.co.uk
Sales Order E-mail: ordersuk@invacare.com

INVACARE® Ireland Ltd
Unit 5 · Seatown Business Campus
Seatown Road · SWORDS · County Dublin
Tel. +353 1 8107084 · Fax +353 1 8107085
Email: Ireland@invacare.com · www.invacare.ie

